



Bespoke sea fastenings for gym equipment

Overview

Securing large pieces of gym equipment to seagoing vessels is not always the simplest process.

Gym machines tend to have moving parts, and awkwardly shaped feet or contact points with the deck that may or may not be suitable for fixing.

In general, some technical understanding of how a machine will function during use is required to ensure that the fastenings do not inhibit the user's workout or cause long term damage to the machine

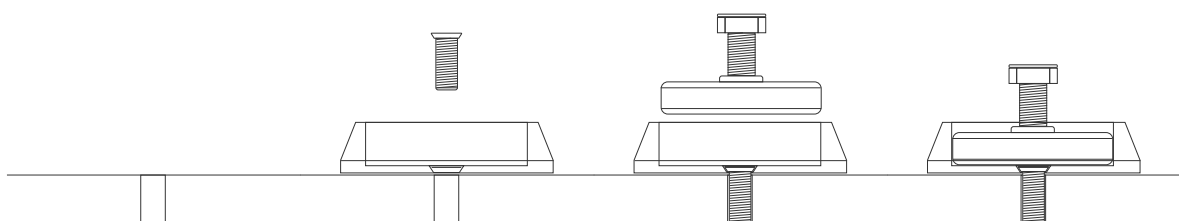
Our Solution

The Gym Marine design team has been busy templating feet and contact points for the most popular gym machines that we have installed over the past 10 years, and those that require sea fastening solutions..

This has resulted in the creation of a growing library of gym sea fastening brackets designed for use onboard superyachts - which are guest area ready.

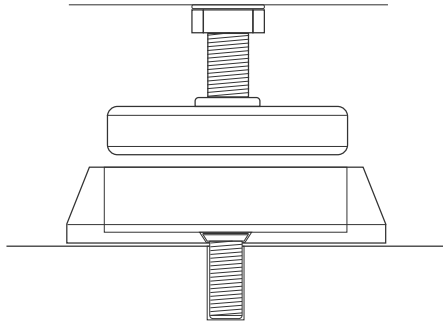
How They Work

The sea fastening is screwed into the deck which then allows the foot of the equipment to securely sit inside.

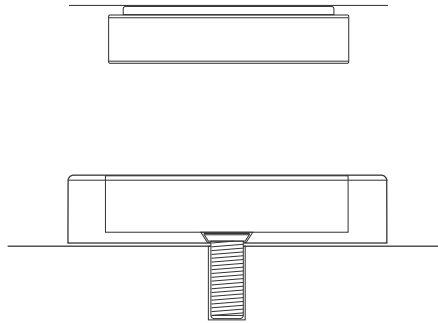


Your Options

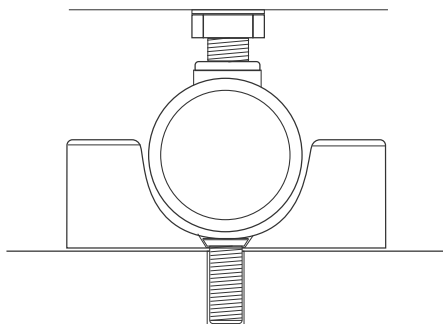
Option 1: Round foot



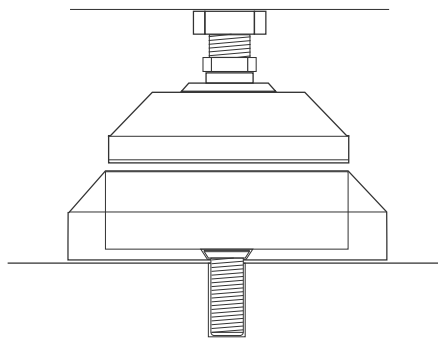
Option 2: Flat foot



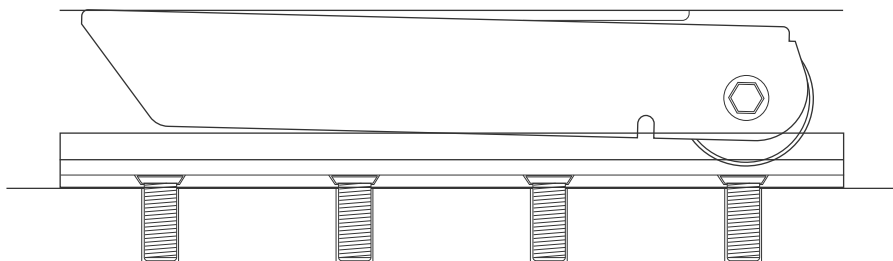
Option 3: Wheel cradle



Option 4: Tapered foot



Option 5: Rail cradle



Materials & Design

- Brackets have a countersunk hole for screwing to deck
- Application of glue is also recommended for extra strength
- All standard fastenings made from 304 grade stainless steel
- 316 grade available for exterior use
- Mirror Polished or Brushed Satin Finish
- PVD Coating available for Matt Black or Bronze appearance
- Bespoke design work can be carried out

Project Example

The images shown are from a 140m+ German build and are examples of a mirrored polished stainless steel sea fastening solution for different Technogym equipment used in the space.

Option 4: Tapered foot



Option 1: Round foot



Option 2: Flat foot



Option 5: Rail cradle